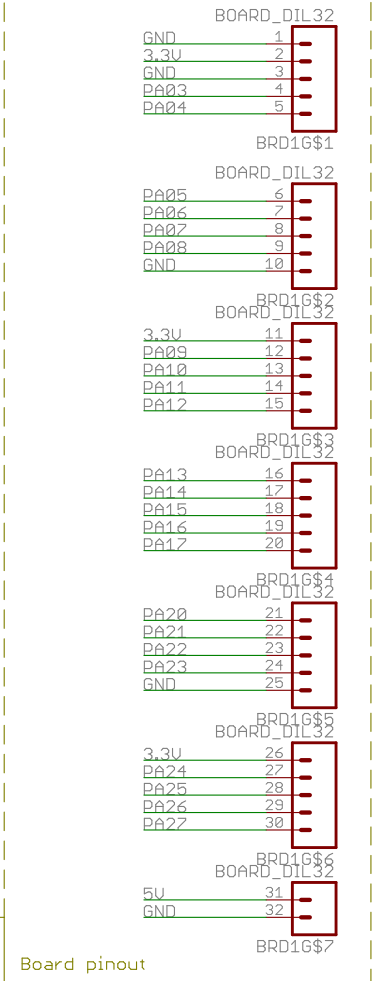
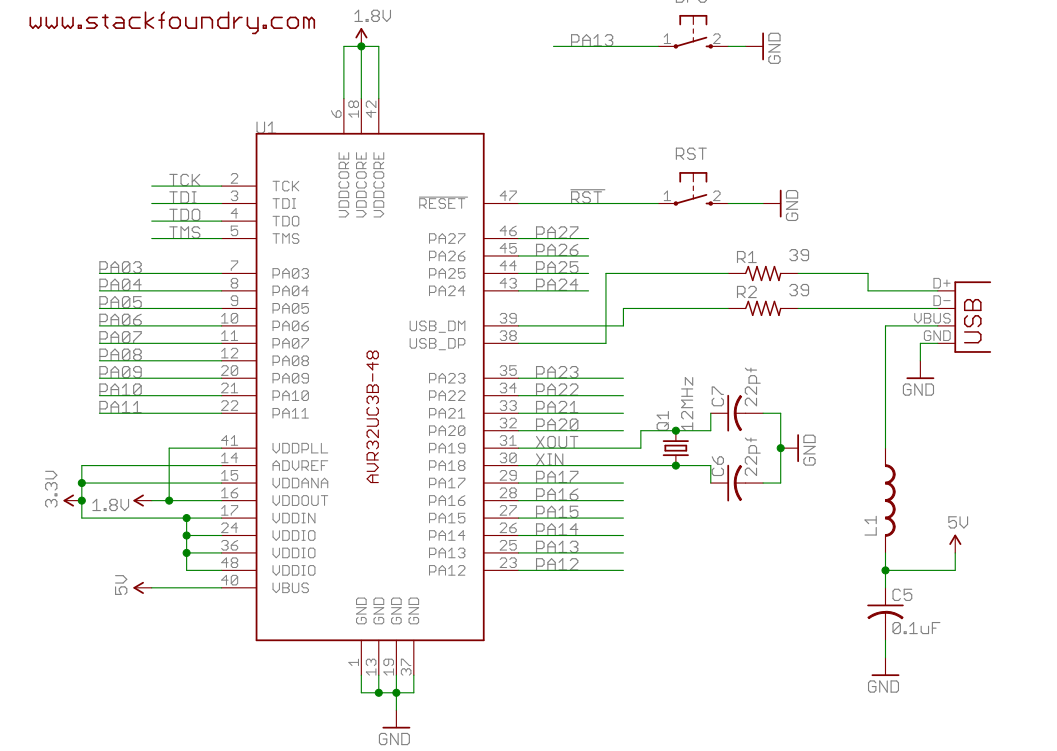
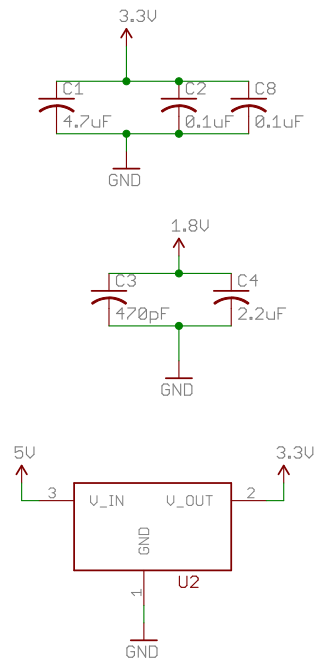


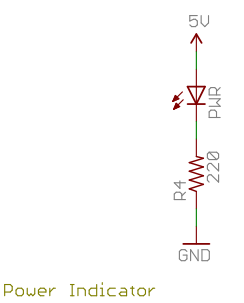
License: Creative Commons 3.0 Attribution-Share Alike Unported
 Copyright 2009 StackFoundry LLC
 www.stackfoundry.com



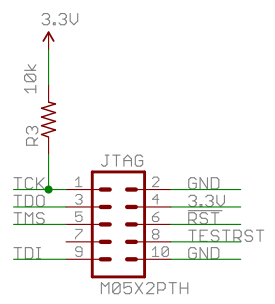
Power Supply + Decoupling

Processor + USB

Board pinout



Power Indicator



JTAG

<h1>StackFoundry LLC</h1>		
TITLE: Copper- AVR32 DIP Module		
Document Number:	copper	REV:
		A
Date: 11/2/09 7:58 PM	Sheet: 1/1	